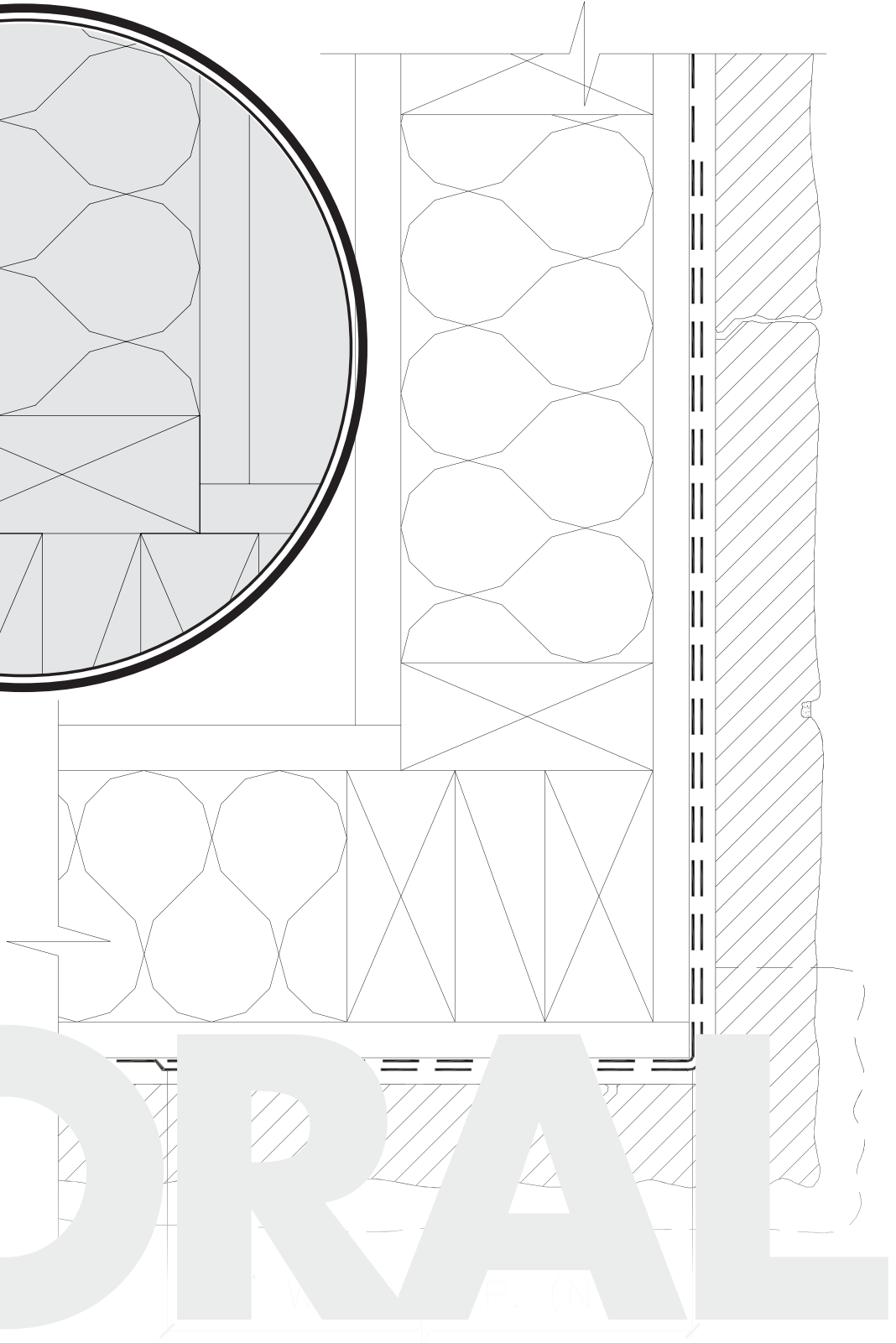
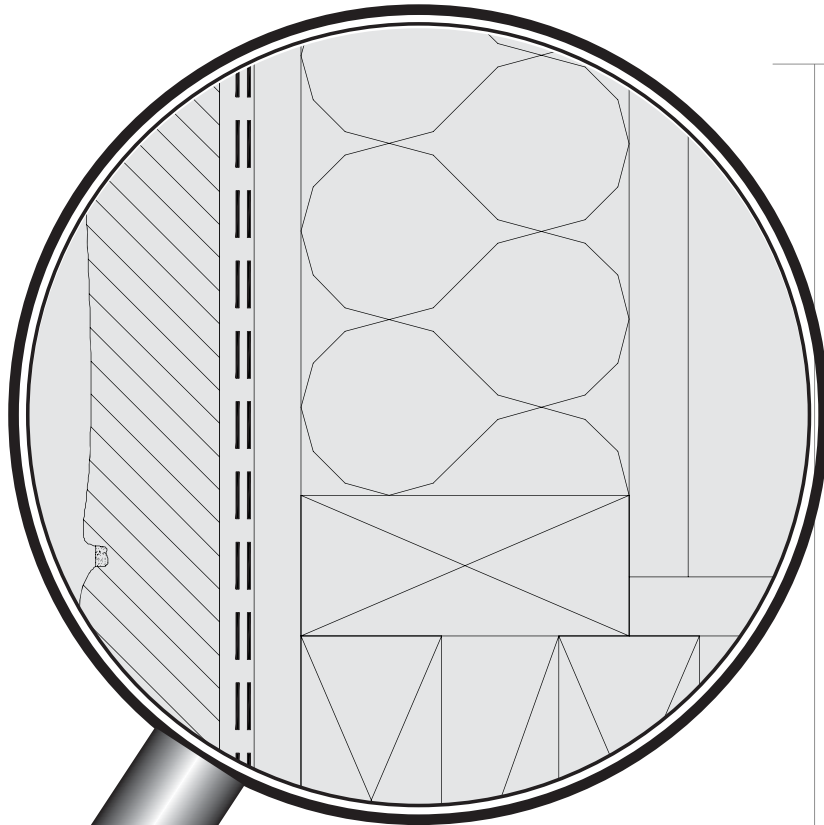


Versetta Stone®

FLASHING AND CONSTRUCTION DETAILS



BORAL



Versetta Stone®

FLASHING AND CONSTRUCTION DETAILS

Table of Contents

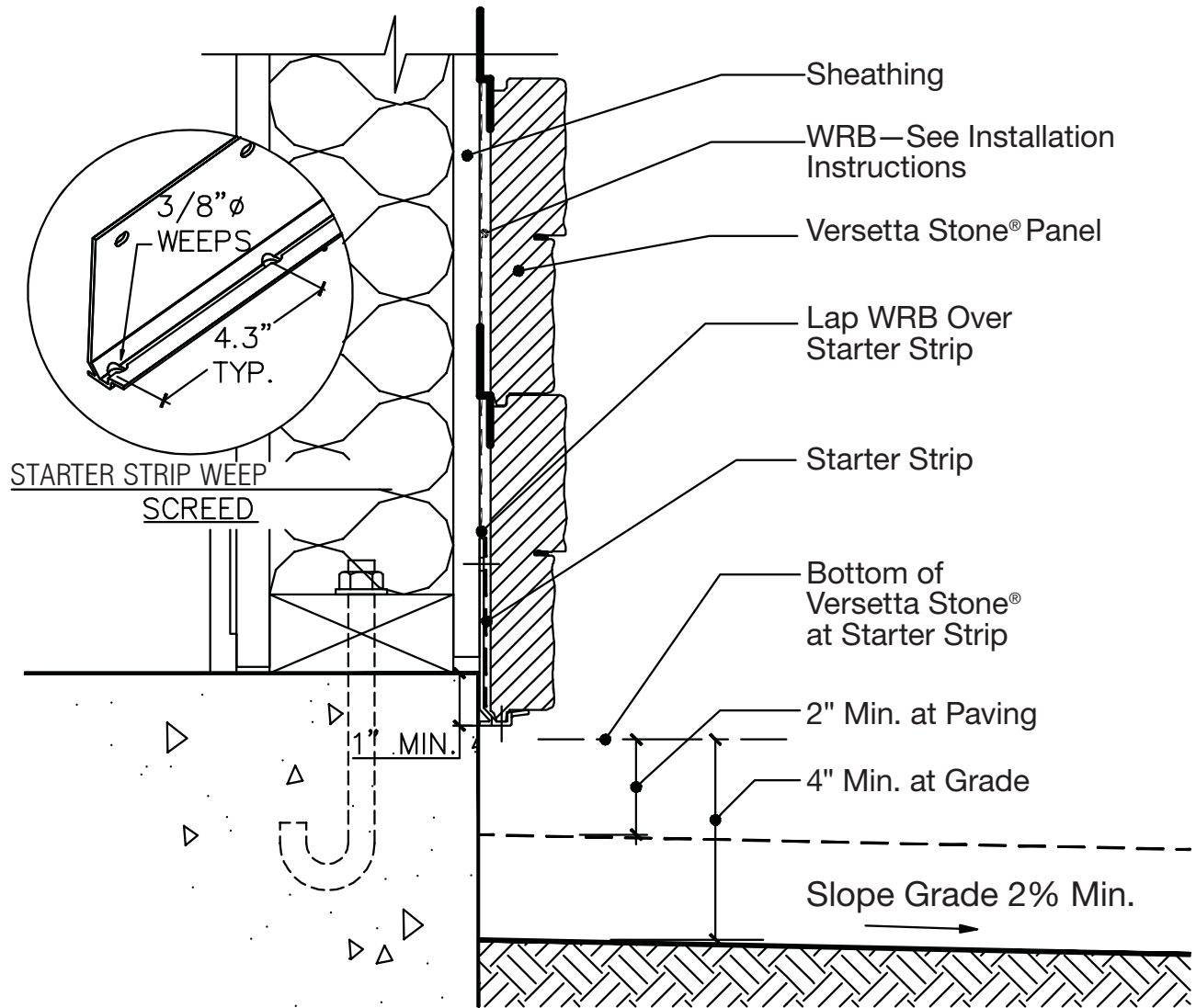
Figure

- 1.1 Sheathing and Wood Studs—Foundation Wall Base. *pg 3*
- 1.2 Sheathing and Wood Studs—Outside Corners. *pg 4*
- 1.3 Sheathing and Wood Studs—Inside Corner. *pg 5*
- 1.4 Sheathing and Wood Studs—Horizontal Transition with Wainscot Cap. *pg 6*
- 1.6 Sheathing and Wood Studs—Window Sill. *pg 7*
- 1.7 Sheathing and Wood Studs—Window Jamb. *pg 8*
- 1.8 Sheathing and Wood Studs—Window Head with Versetta® J-Channel. *pg 9*
- 1.8A Sheathing and Wood Studs—Window Head with Versetta® Starter Strip. *pg 10*
- 1.12A Sheathing and Wood Studs—Top of Framed Wall At Roof-Tight Eave. *pg 11*
- 1.13 Sheathing and Wood Studs—Vertical Termination With Trim. *pg 12*
- 1.14A Sheathing and Wood Studs—Horizontal Termination With Trim. *pg 13*
- 1.14B Sheathing and Wood Studs—Horizontal Termination without Trim. *pg 14*

These construction details are provided to assist in the installation of BORAL Versetta Stone® product(s). These construction details will not necessarily apply to every design circumstance that you encounter. These construction details may, and most likely will, require modifications to meet your particular design requirements. Manufacturer accepts no responsibility or liability for the use of these or other construction details.

Versetta Stone®

FLASHING AND CONSTRUCTION DETAILS



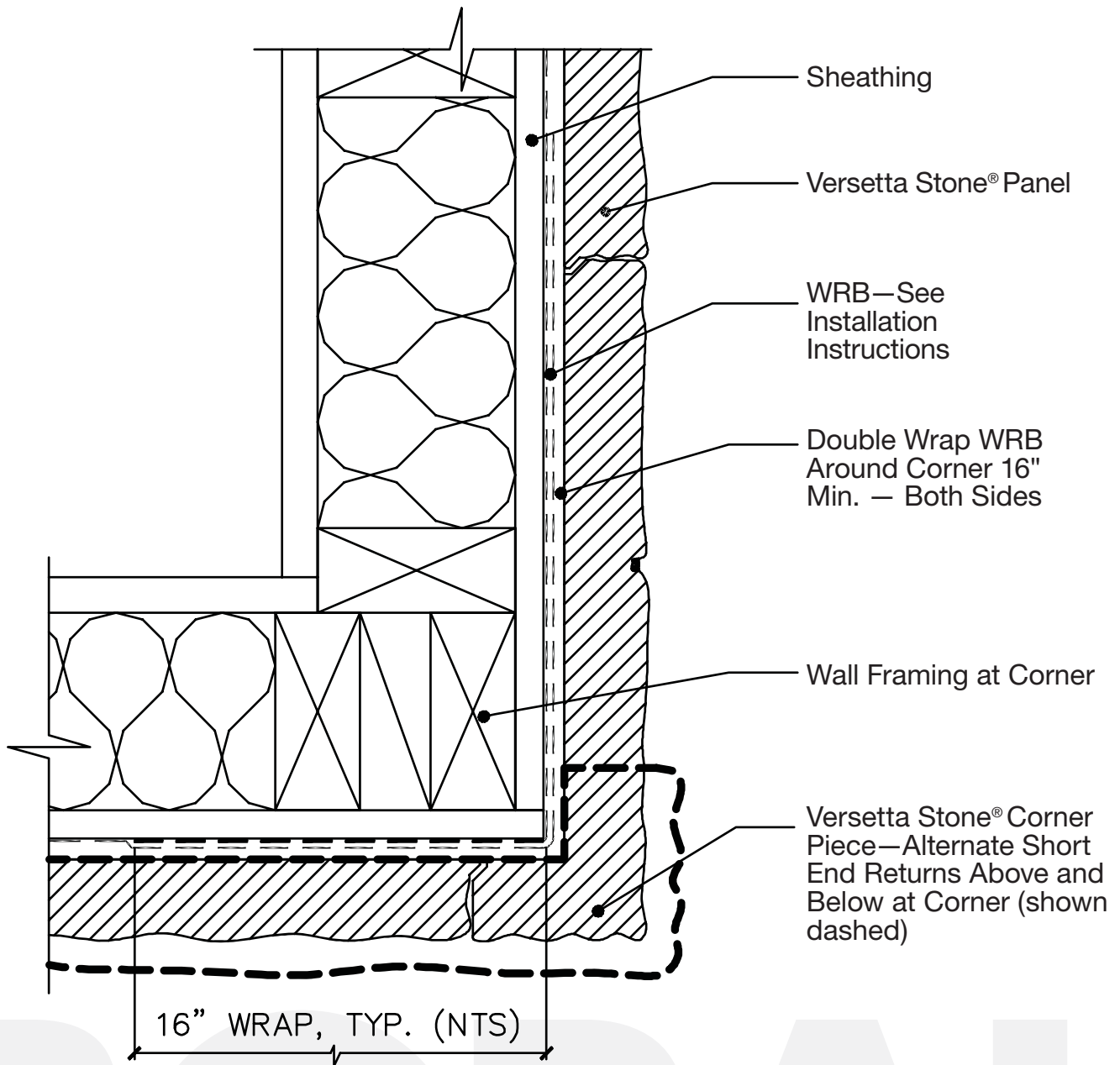
Sheathing and Wood Studs—
Foundation Wall Base

Scale: 3" = 1'-0"

1-X
1.1

Versetta Stone®

FLASHING AND CONSTRUCTION DETAILS



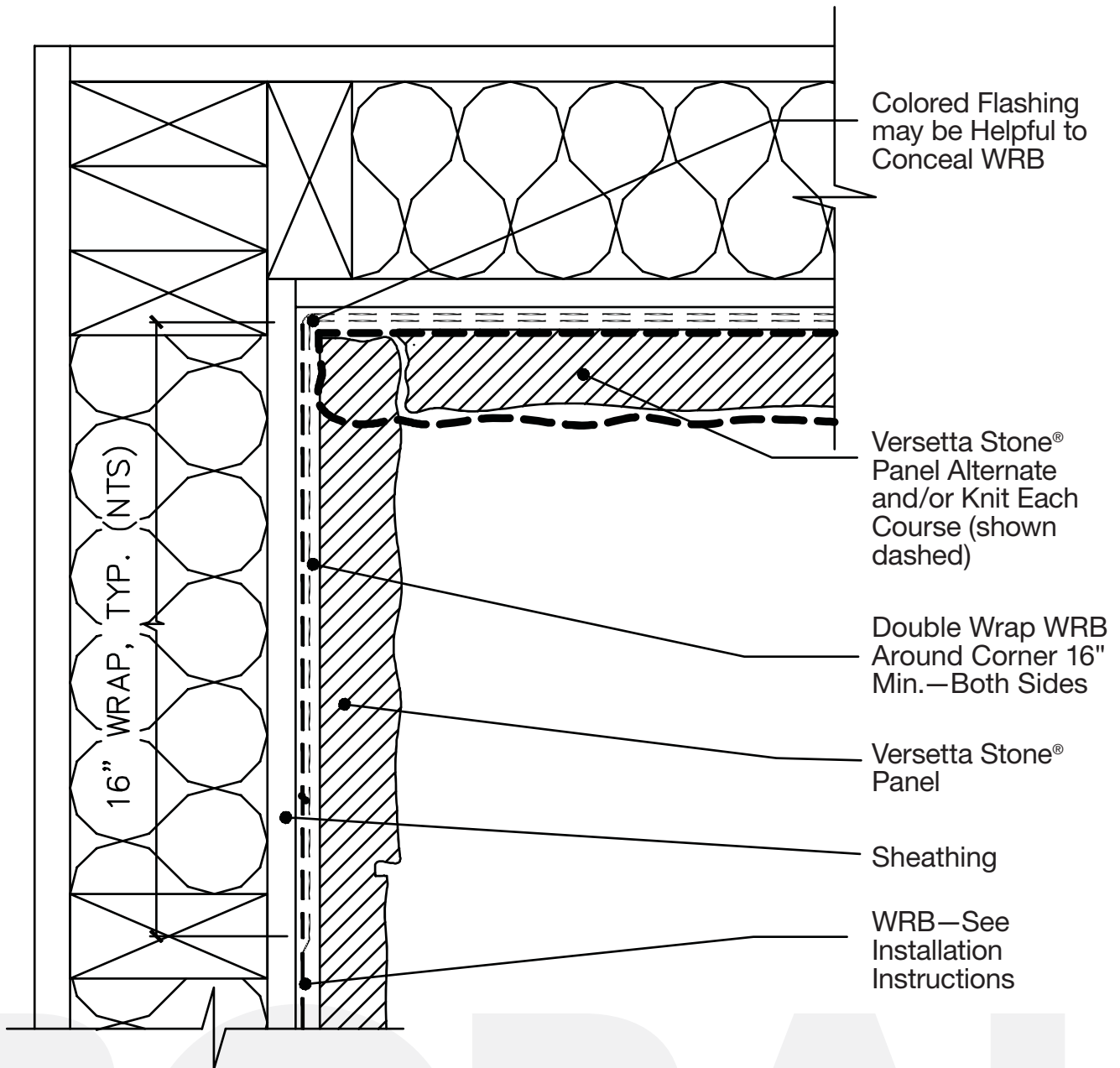
1-X
1.2

Sheathing and Wood Studs —
Outside Corner

Scale: 3" = 1'-0"

Versetta Stone®

FLASHING AND CONSTRUCTION DETAILS



Sheathing and Wood Studs—
Inside Corner

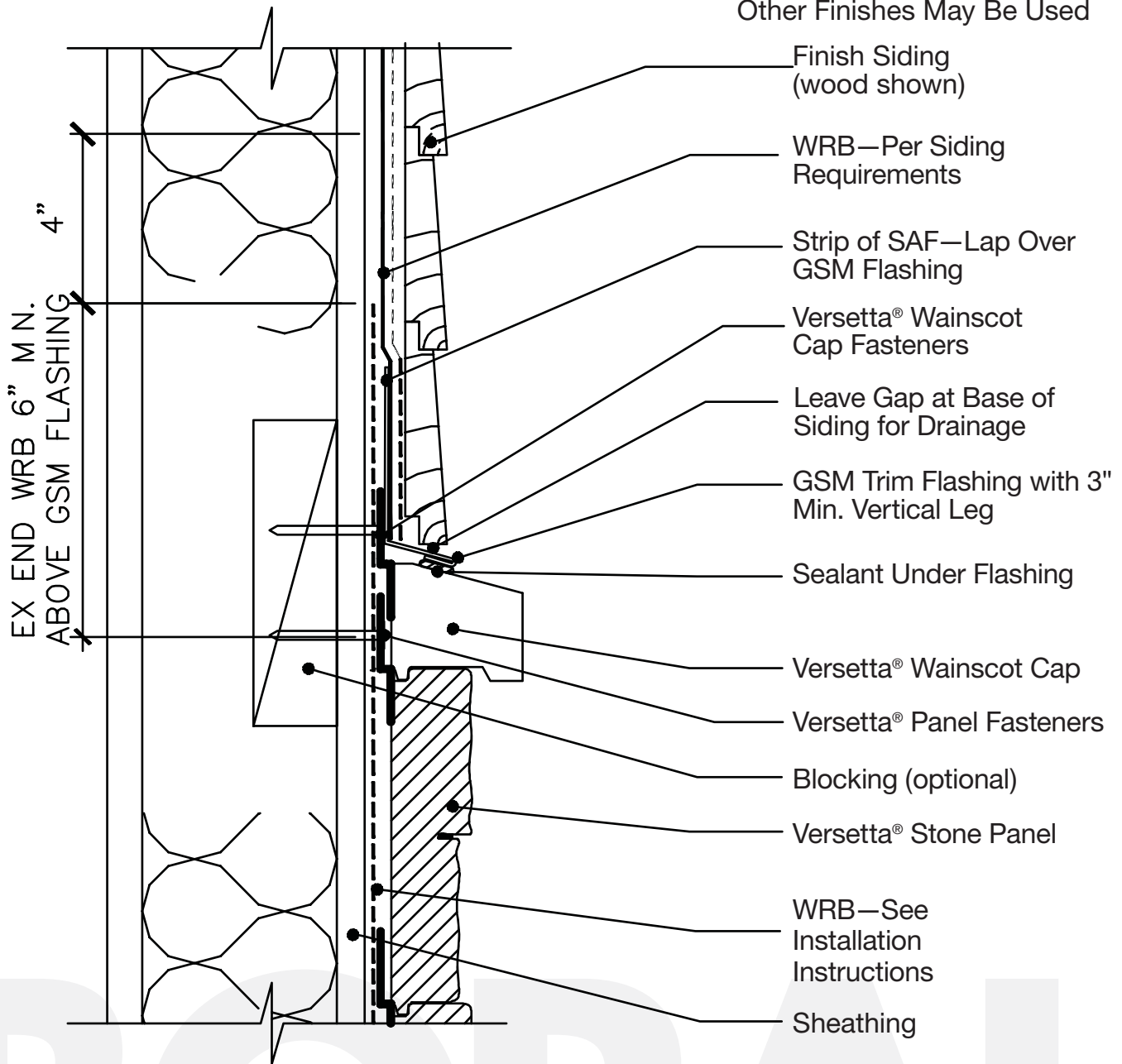
1-X
1.3

Scale: 3" = 1'-0"

Versetta Stone®

FLASHING AND CONSTRUCTION DETAILS

Note:
Other Finishes May Be Used



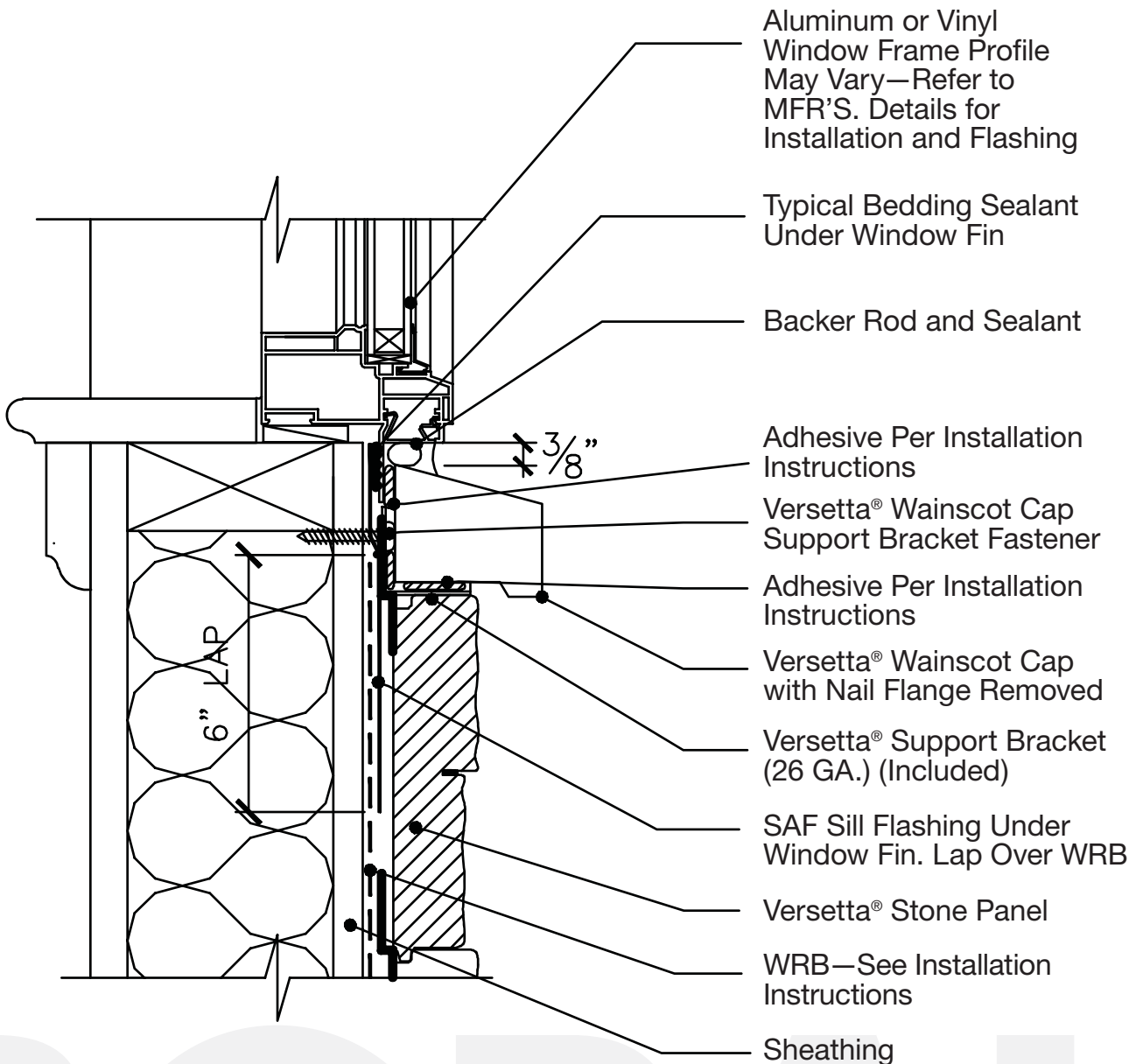
1-X
1.4

Sheathing and Wood Studs—
Horizontal Transition with Wainscot Cap

Scale: 3" = 1'-0"

Versetta Stone®

FLASHING AND CONSTRUCTION DETAILS



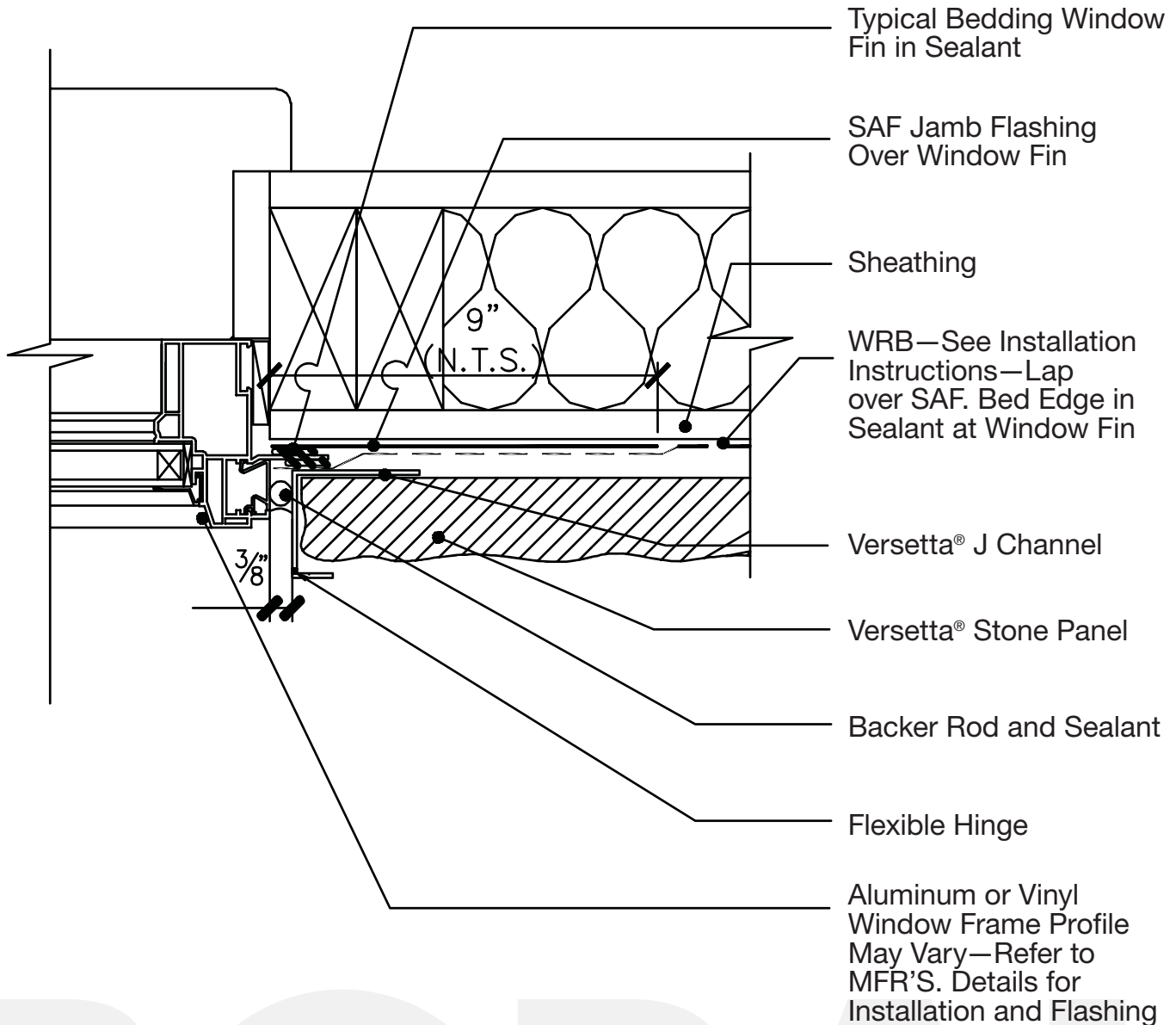
Sheathing and Wood Studs—
Window Sill

1-X
1.6

Scale: 3" = 1'-0"

Versetta Stone®

FLASHING AND CONSTRUCTION DETAILS



1-X

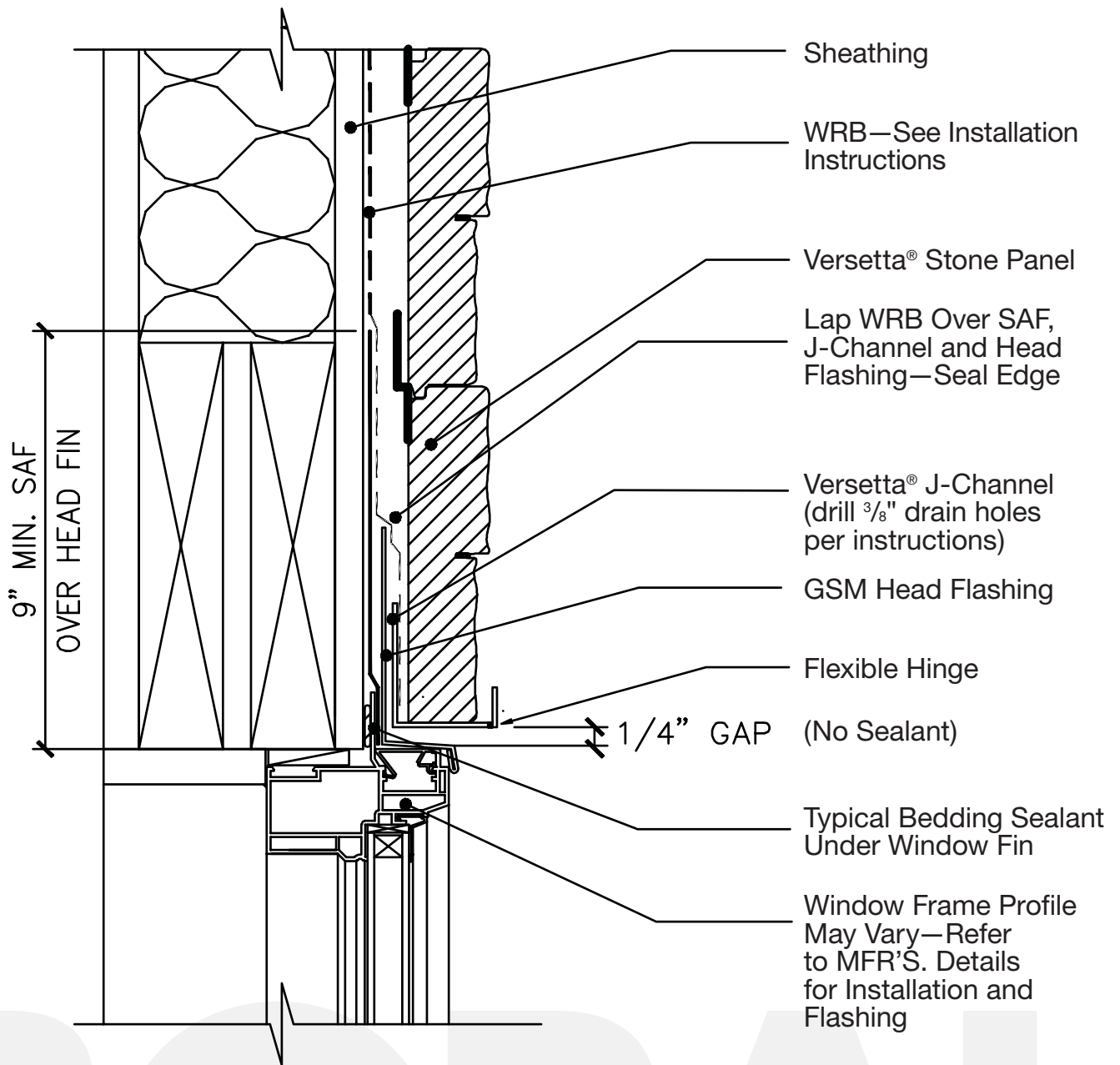
Sheathing and Wood Studs—
Window Jamb

1.7

Scale: 3" = 1'-0"

Versetta Stone®

FLASHING AND CONSTRUCTION DETAILS



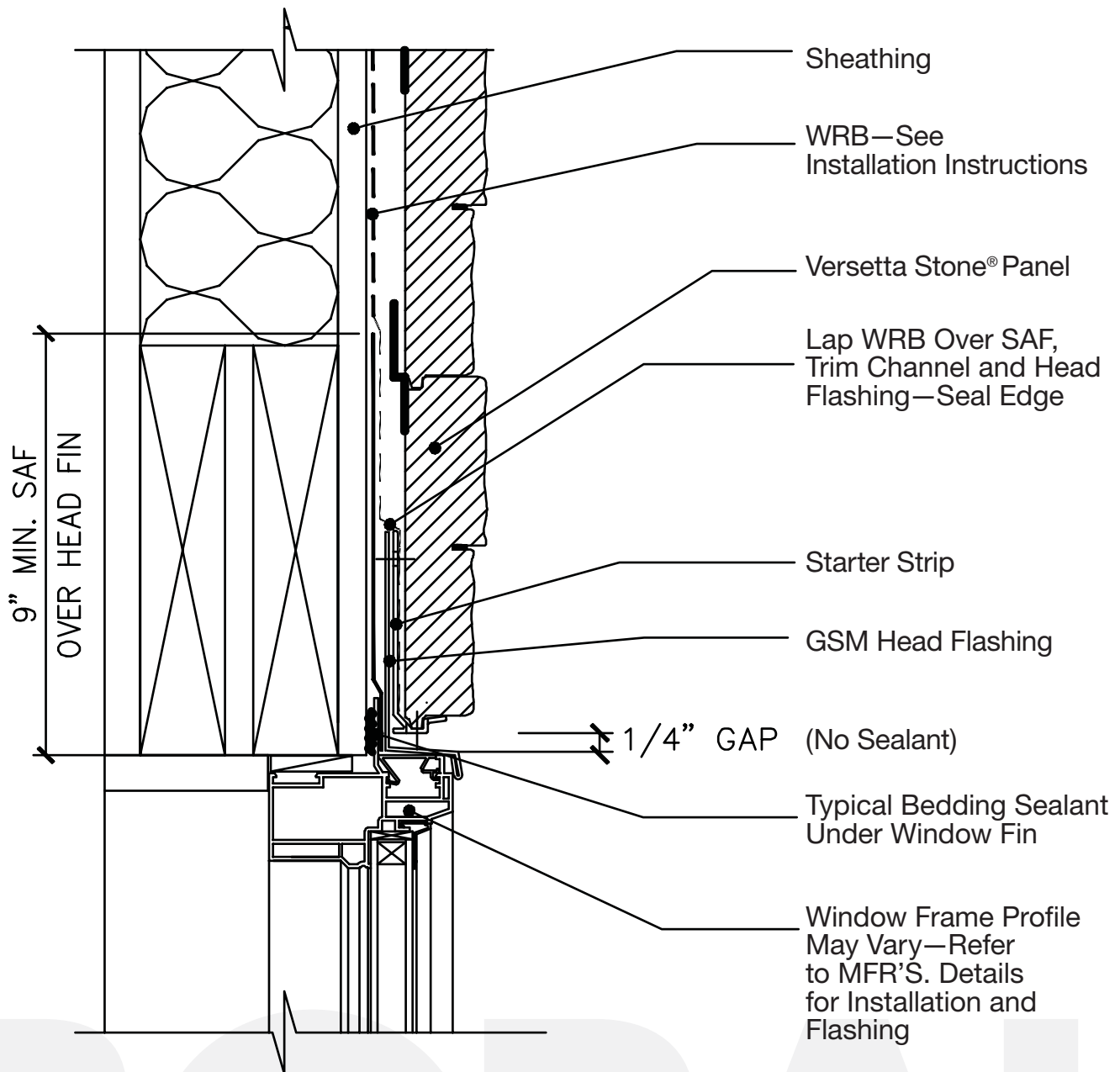
Sheathing and Wood Studs—
Window Head

1-X
1.8

Scale: 3" = 1'-0"

Versetta Stone®

FLASHING AND CONSTRUCTION DETAILS



1-X
1.8A

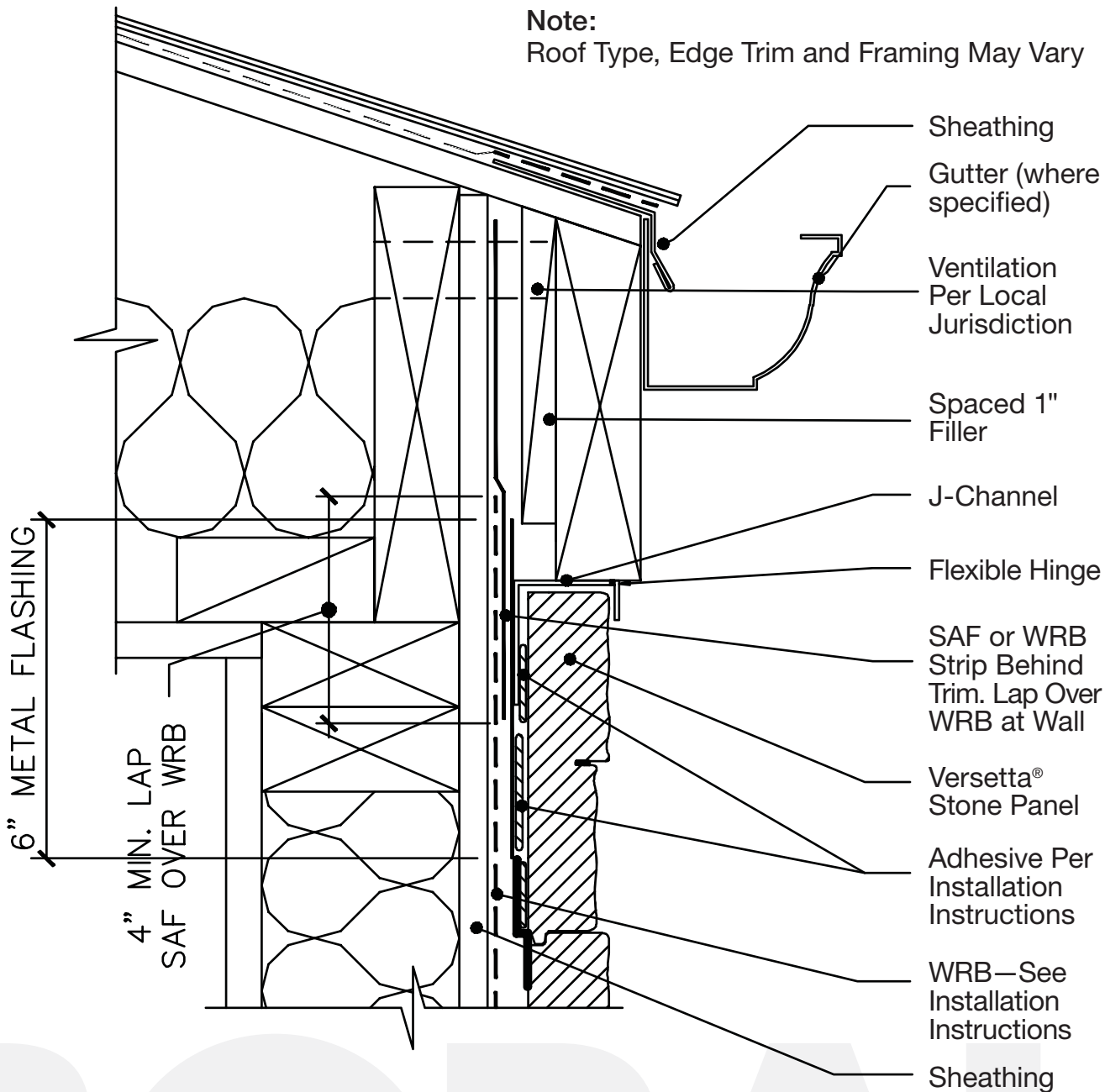
Sheathing and Wood Studs—
Window Head

Scale: 3" = 1'-0"

Versetta Stone®

FLASHING AND CONSTRUCTION DETAILS

Note:
Roof Type, Edge Trim and Framing May Vary



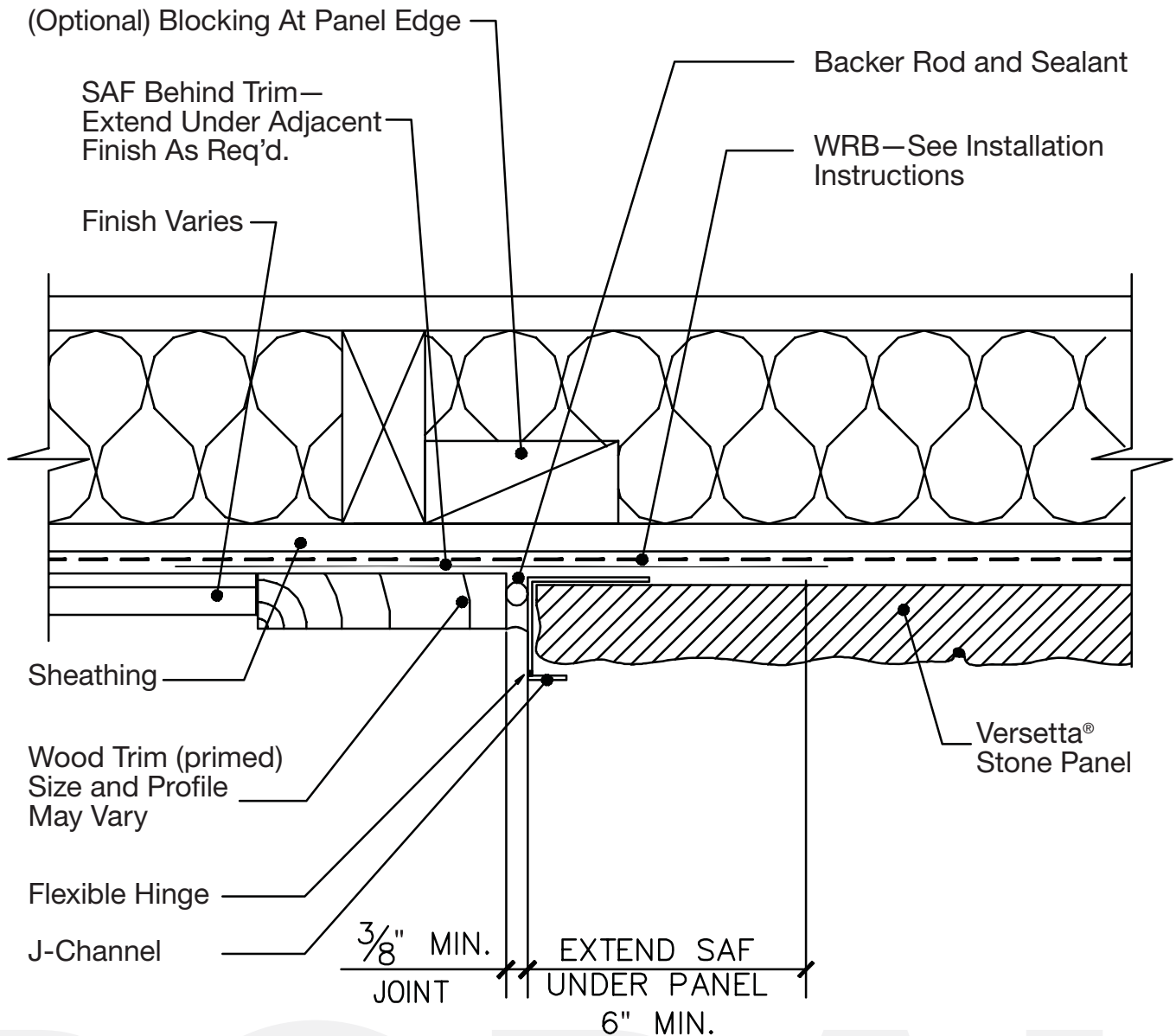
Sheathing and Wood Studs —
Top of Framed Wall at Roof-Tight Eave

Scale: 3" = 1'-0"

1-X
1.12A

Versetta Stone®

FLASHING AND CONSTRUCTION DETAILS



1-X
1.13

Sheathing and Wood Studs—
Vertical Termination with Trim

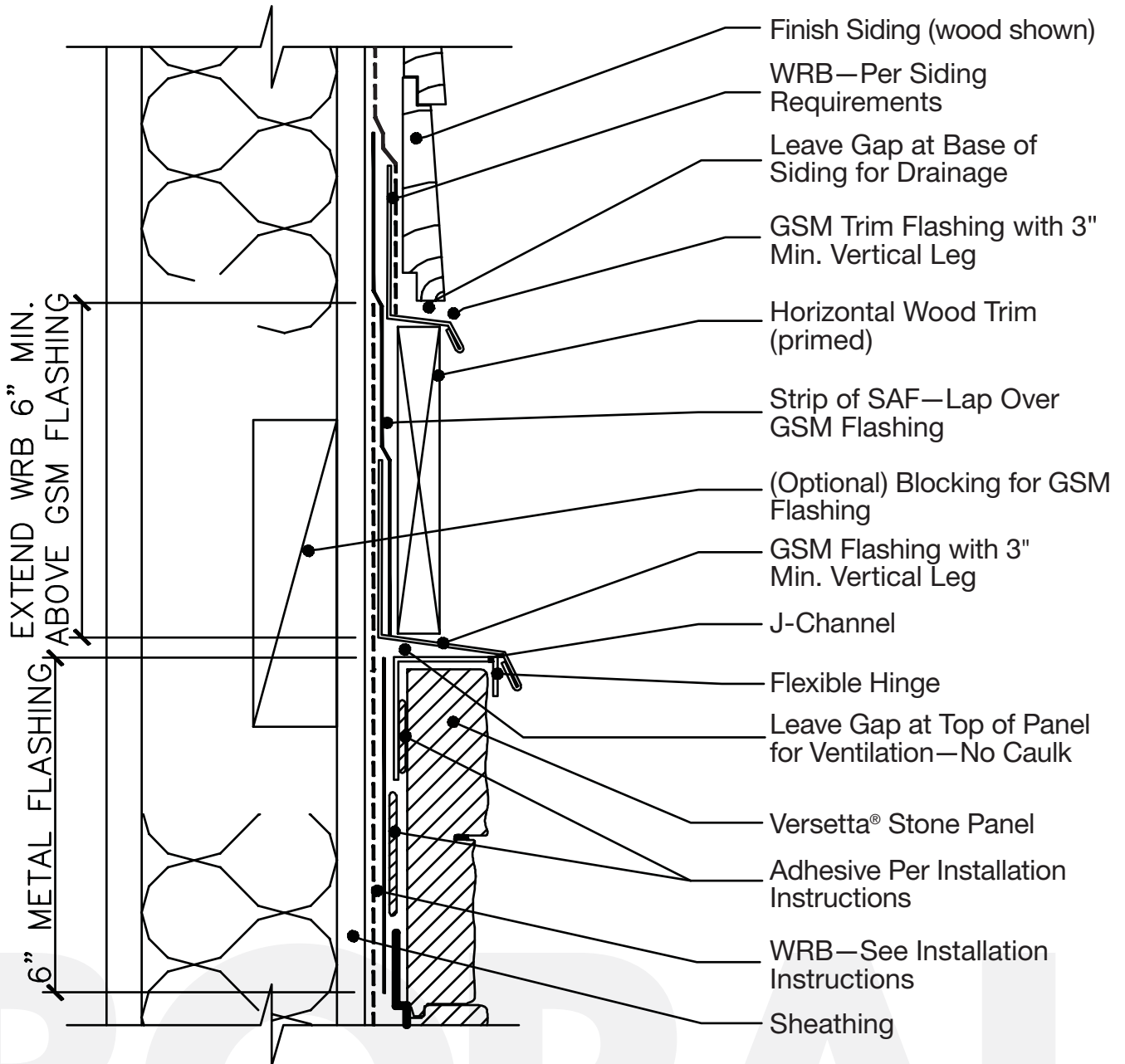
Scale: 3" = 1'-0"

Versetta Stone®

FLASHING AND CONSTRUCTION DETAILS

Note:

Other Finishes May Be Used



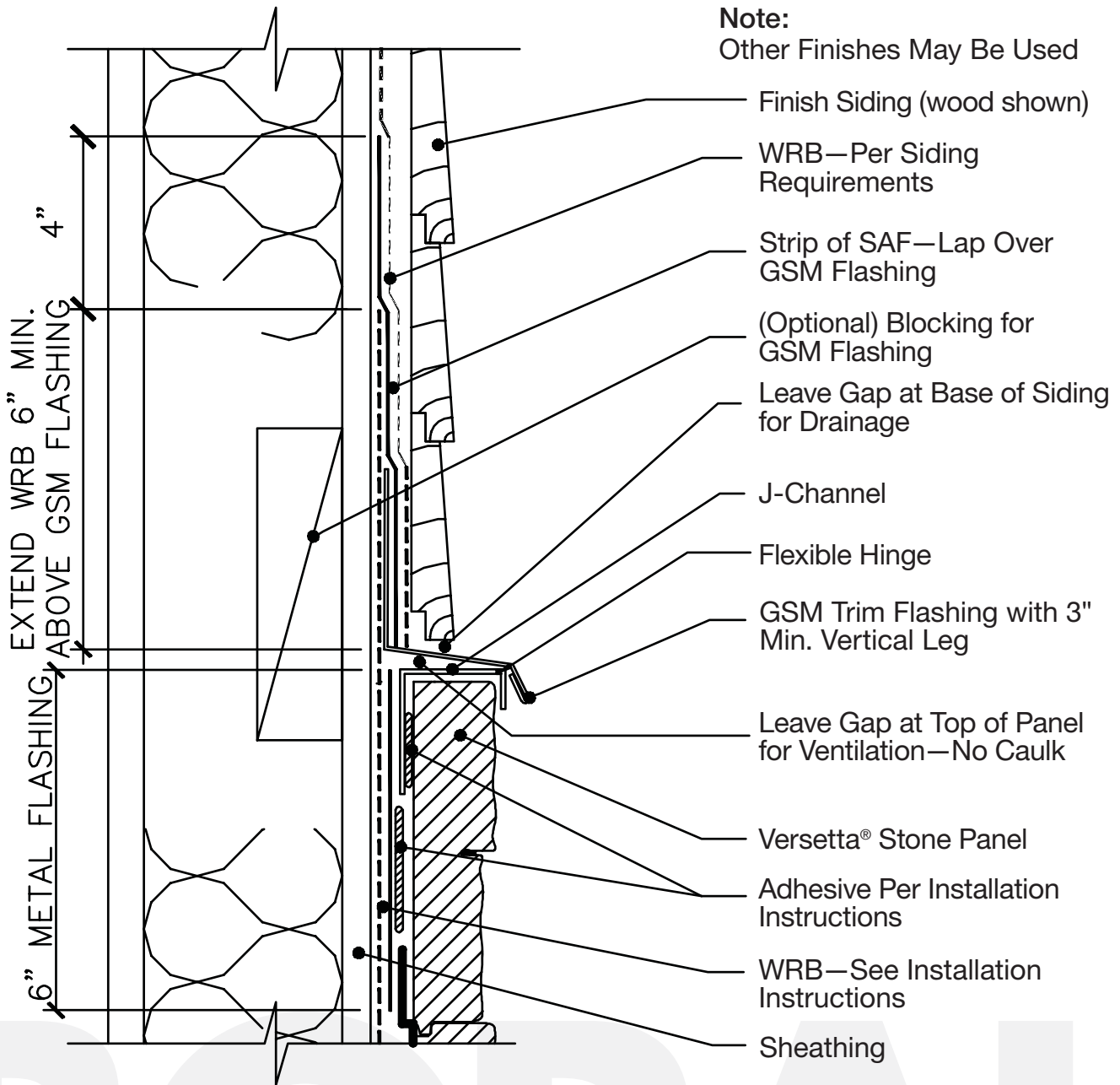
Horizontal Termination with Trim

1-X
1.14A

Scale: 3" = 1'-0"

Versetta Stone®

FLASHING AND CONSTRUCTION DETAILS



1-X
1.14B

Sheathing and Wood Studs—
Horizontal Termination without Trim

Scale: 3" = 1'-0"

For additional information on Versetta Stone® products
visit www.versettastone.com
or call 1-800-255-1727



✓ Recycled content
Minimum of 50 percent recycled
content on all Versetta Stone®
panelized stone veneer products.

Build something great™ with Boral

Roof tiles
Roof Accessories
Bricks
Pavers
Stone

Explore the product range online
www.boralna.com

Pub. No.10015488. Printed in U.S.A. August 2011.
© 2011 Boral Stone Products LLC

